

(12) Mounting Holes for M6 [1/4"] Screws.

Top Type 1 Protective Cover

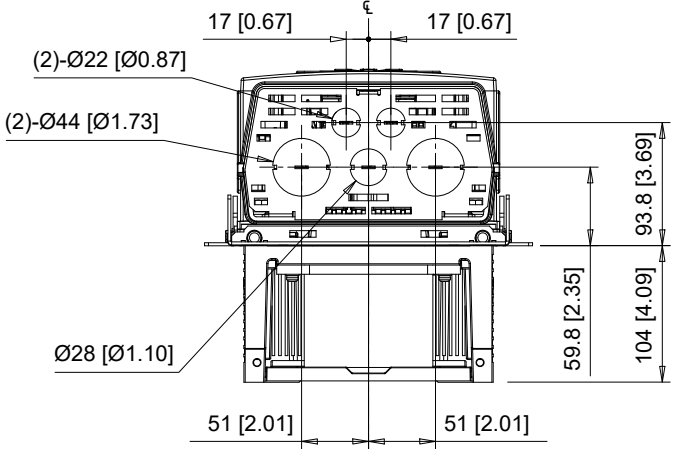
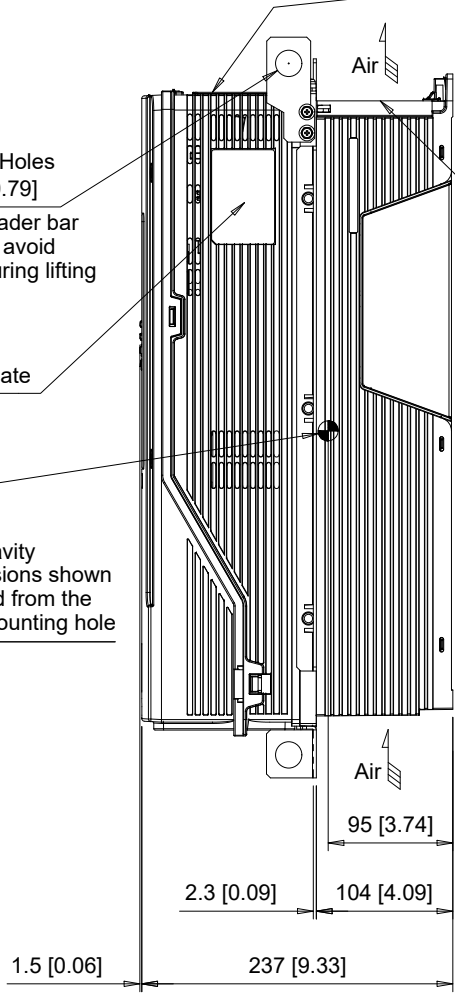
Note: Protective covers are factory installed to the top and bottom of the drive to meet UL Type 1 requirements. Remove these covers when operating the drive within a panel. Removing these covers results in an enclosure rating of IP20.

(2)-Lifting Holes Ø20 [Ø0.79]
 Note: Spreader bar required to avoid damage during lifting

Cooling fan location

Nameplate

Center of Gravity
 Note: Dimensions shown are measured from the bottom left mounting hole



The dimensions shown are for an IP20/Type 1 Drive that has been converted to a IP20/Backside Type 12 Drive by adding the parts from Type 12 heatsink external mounting kit number part number ZPSD-600-EH12-FR3

C/C: HV60□	INPUT VOLTAGE 3-PHASE (VAC)	WEIGHT Kg (lb)	COOLING FANS
2046□□□	200 TO 240	15.6 (34.3)	1
2059□□□		16.6 (36.5)	1
4040□□□	380 TO 480	16.6 (36.5)	1
4052□□□		18.6 (40.9)	1
4065□□□		20.6 (45.3)	1

□ denotes A-Z

YASKAWA

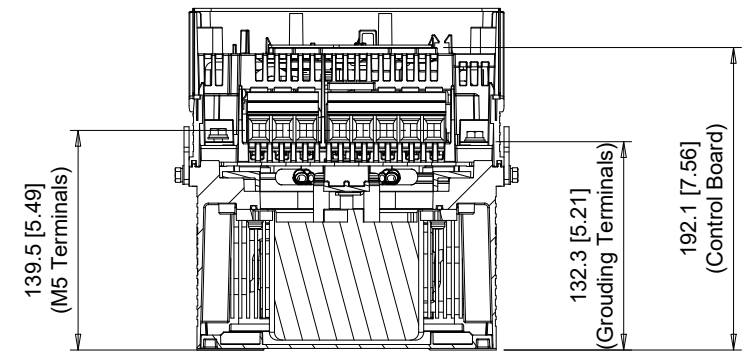
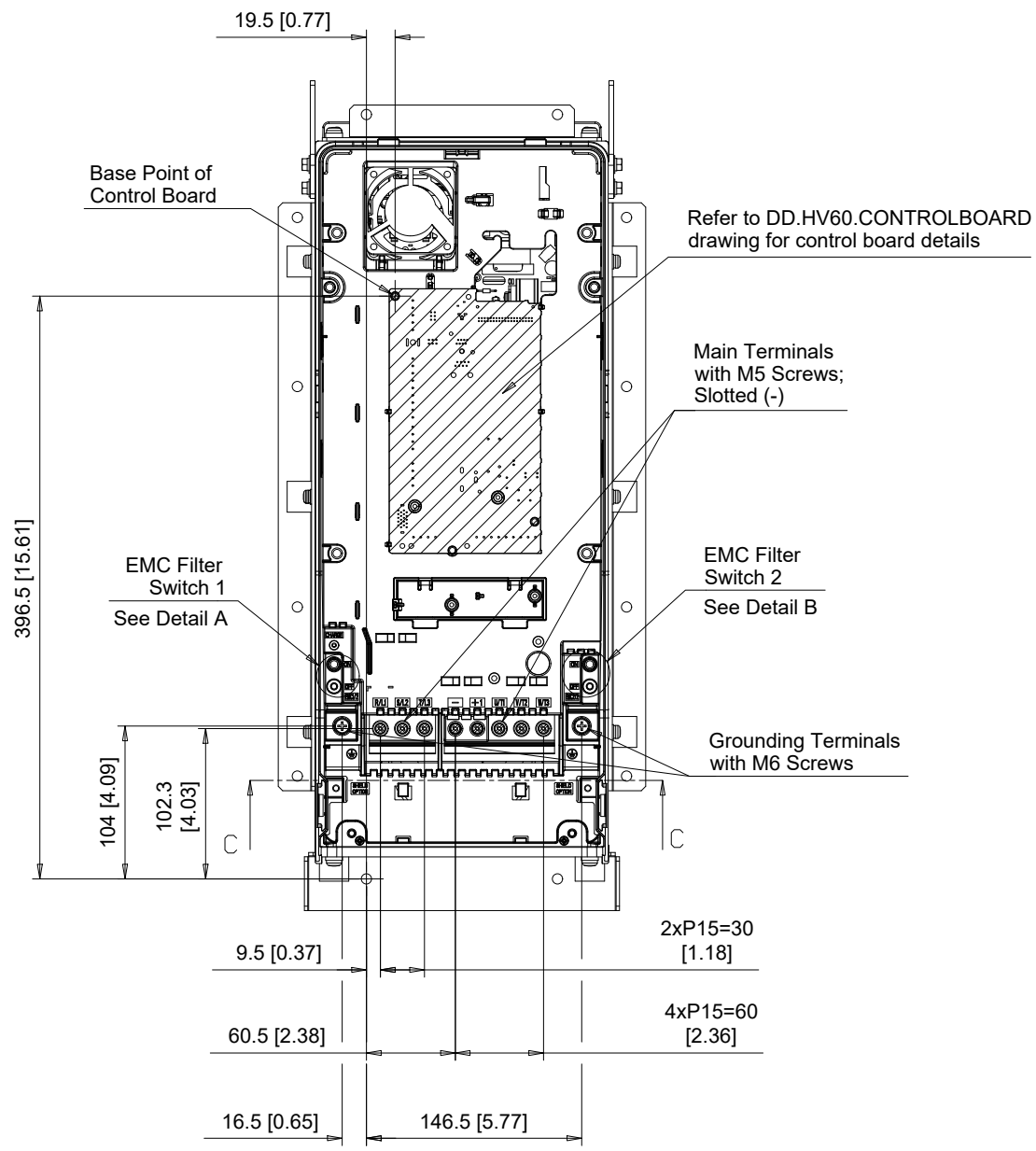
UNITS MM [IN]
 SCALE 1:6

DRWN. J. MATTAS 1-28-20
 CHKD. J. PIOTROWSKI 1-29-20
 TECH. L. UDDIN 2-17-20
 APRV. J. CAIRO 2-27-20

TITLE
 HV600 DIMENSION DRAWING
 FRAME SIZE 3
 IP20/BACKSIDE TYPE 12 ENCLOSURE

SIZE A PAGE 1 OF 3
 DWG.NO. DD.HV60.FR3.FLNG

REV 0

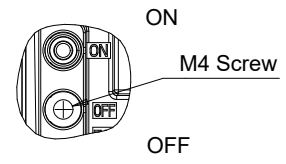


Section C-C

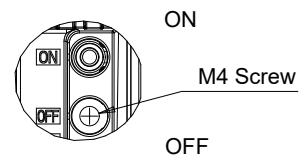
EMC FILTER SWITCHES

EMC SW1

EMC SW2



Detail A
Scale 1:2



Detail B
Scale 1:2

C/C: HV60□	TERMINAL SYMBOL	WIRE RANGE AWG (mm ²)	TERMINAL SCREW	CLAMPING TORQUE N.m. (lb.in.)
2046□□□	R/L1, S/L2, T/L3	8 - 2 (10 - 35)	M5	4.5 (40)
2059□□□	U/T1, V/T2, W/T3	8 - 2 (10 - 35)	M5	4.5 (40)
4040□□□	-, +1	8 - 2 (10 - 35)	M5	4.5 (40)
4052□□□	⊕	14 - 4 (2.5 - 25)	M6	4.0 - 5.0 (35 - 44)
4065□□□				

□ Denotes A-Z

Note: Refer to applicable codes and standards for proper wire type and size.



	DRWN.	J. MATTAS	1-28-20
UNITS MM [IN]	CHKD.	J. PIOTROWSKI	1-29-20
SCALE 1:5	TECH.	L. UDDIN	2-17-20
	APRV.	J. CAIRO	2-27-20

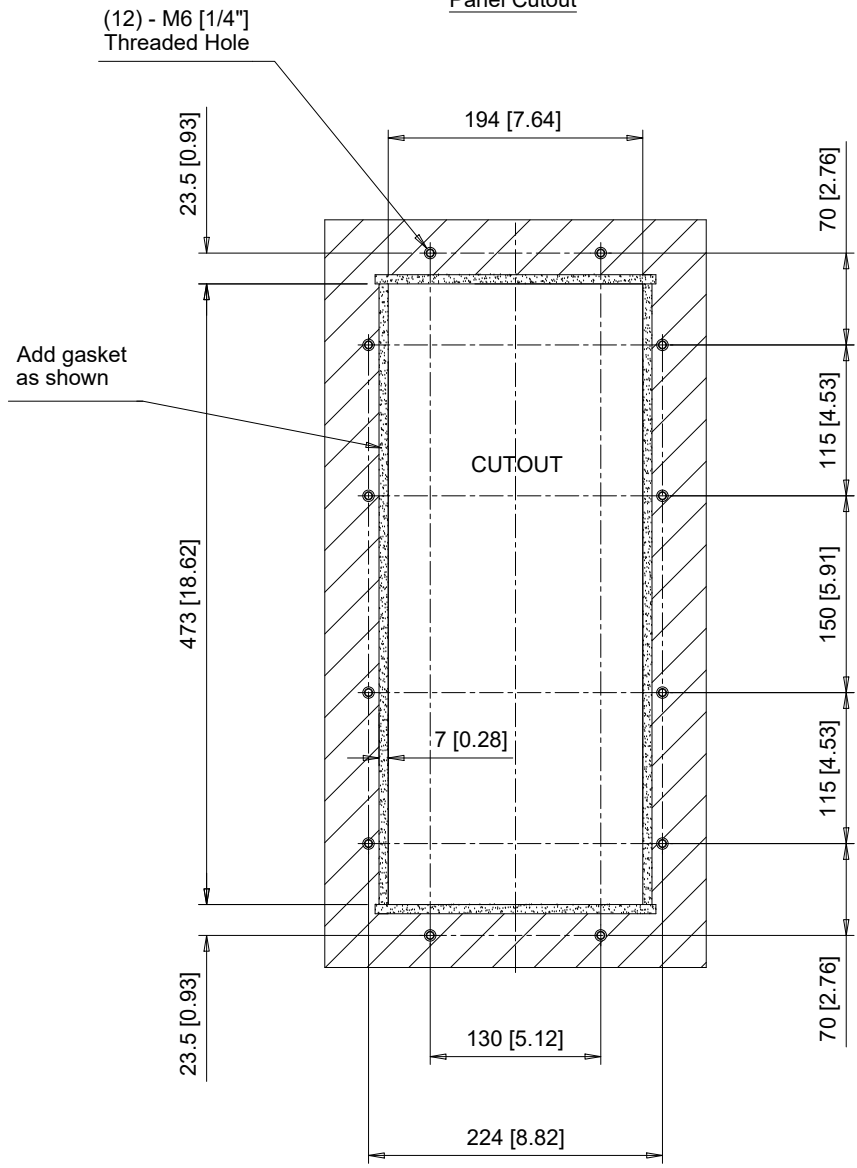
DRWN.	J. MATTAS	1-28-20
CHKD.	J. PIOTROWSKI	1-29-20
TECH.	L. UDDIN	2-17-20
APRV.	J. CAIRO	2-27-20

TITLE	IP20/BACKSIDE TYPE 12 ENCLOSURE
SIZE	A
PAGE	2 OF 3
DWG.NO.	DD.HV60.FR3.FLNG

SIZE	A
PAGE	2 OF 3
DWG.NO.	DD.HV60.FR3.FLNG

REV	0
-----	---

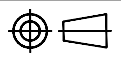
Panel Cutout



Notes:

Exposed heatsink minimum clearance D = 109 [4.29].
 Refer to external heatsink instructions document for additional details.

YASKAWA



UNITS MM [IN]
 SCALE 1:6

DRWN.	J. MATTAS	1-28-20
CHKD.	J. PIOTROWSKI	1-29-20
TECH.	L. UDDIN	2-17-20
APRV.	J. CAIRO	2-27-20

TITLE	HV600 DIMENSION DRAWING FRAME SIZE 3 IP20/BACKSIDE TYPE 12 ENCLOSURE
-------	--

SIZE	A	PAGE	3 OF 3
DWG.NO.	DD.HV60.FR3.FLNG		

REV	0
-----	---